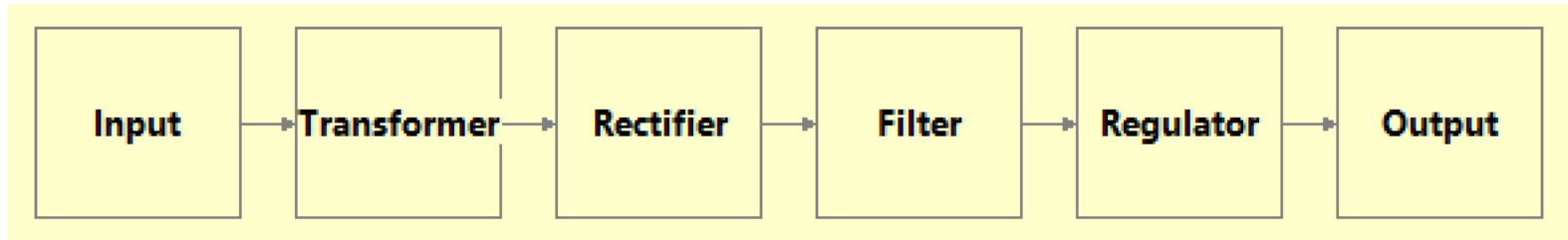
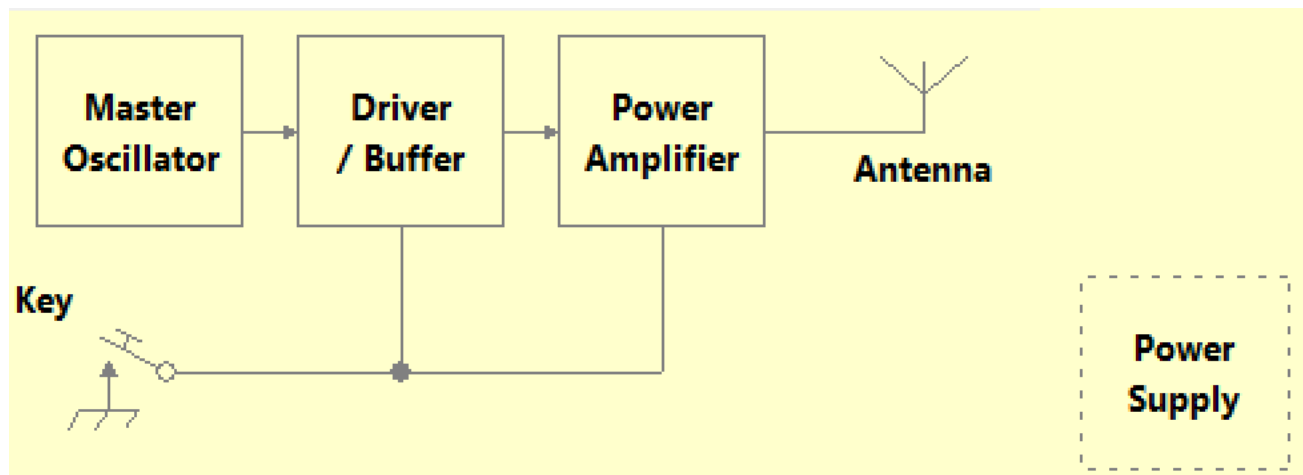


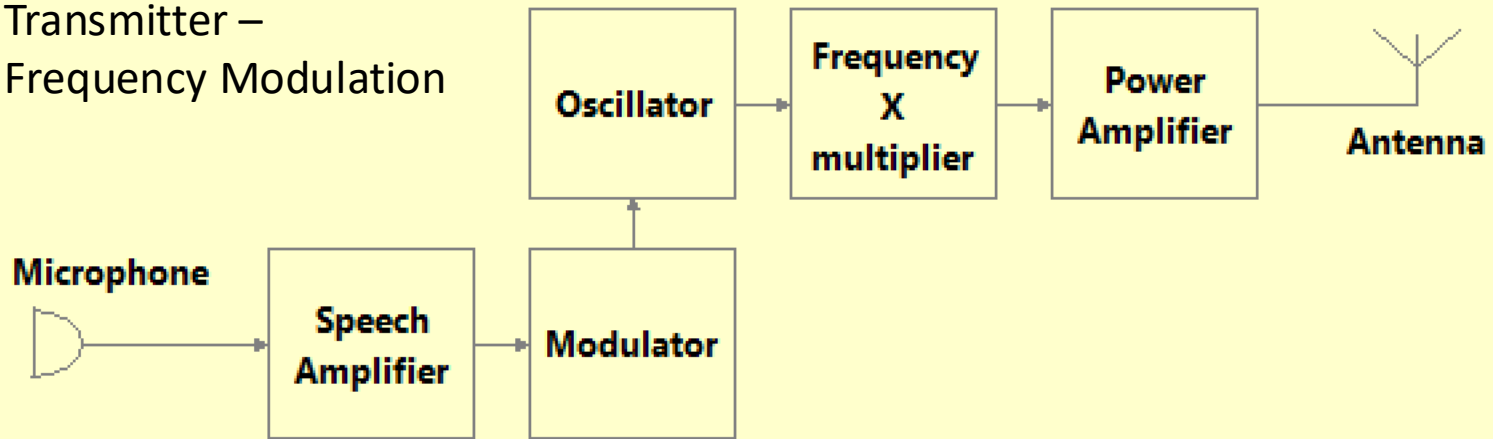
Regulated Power Supply



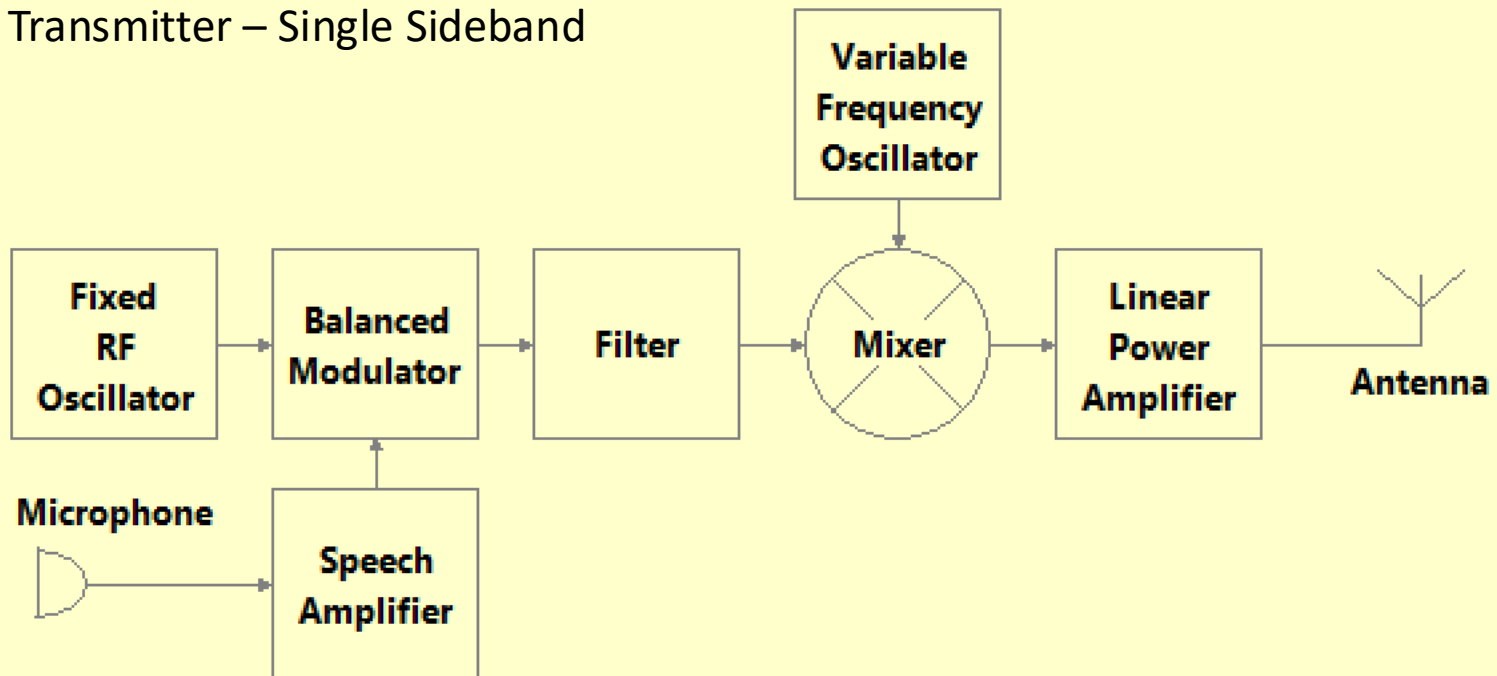
Transmitter – Continuous Wave



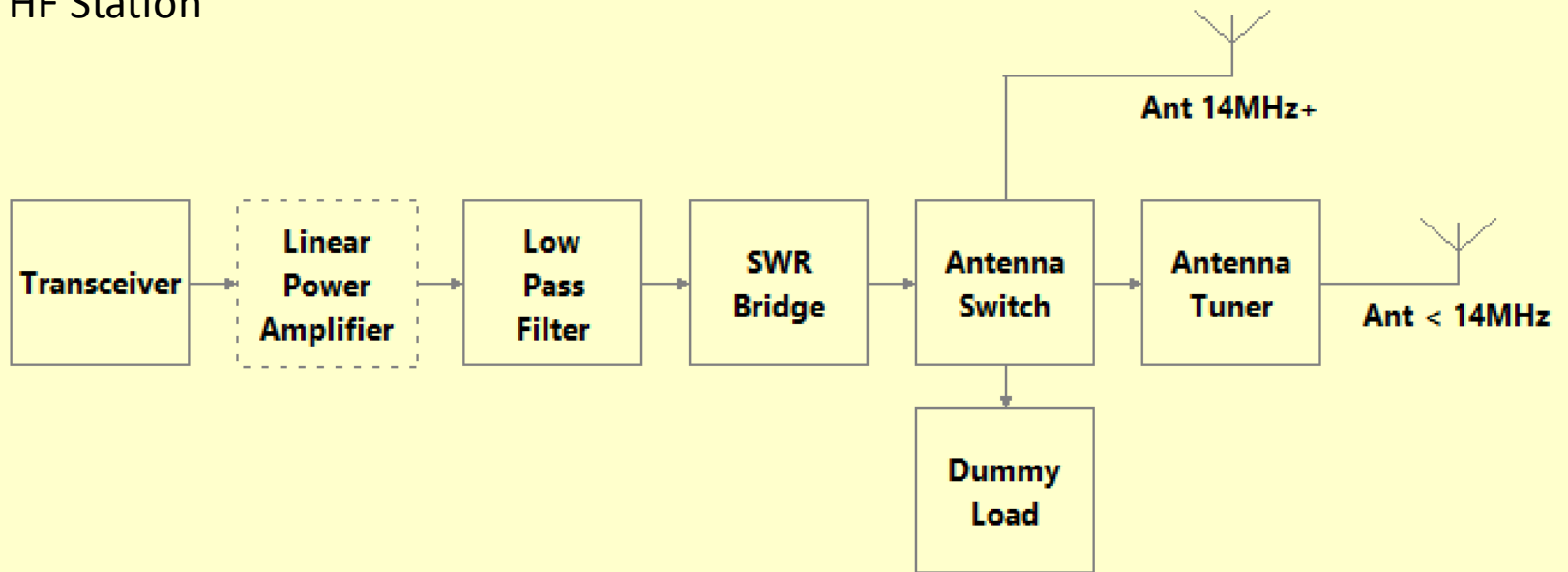
Transmitter – Frequency Modulation



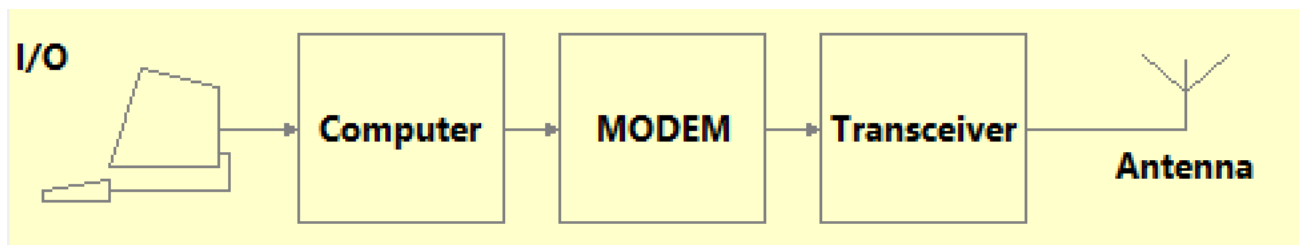
Transmitter – Single Sideband



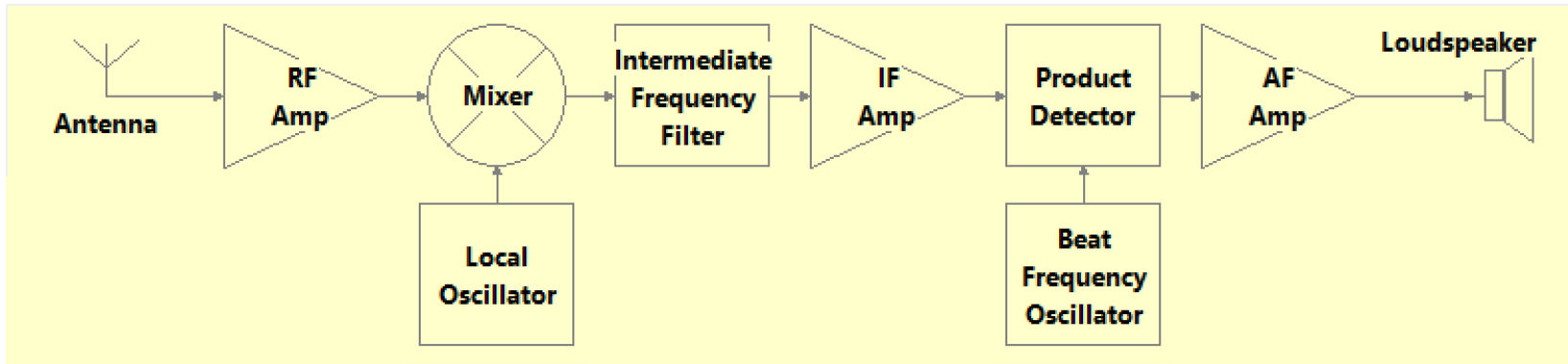
HF Station



Digital Station



Receiver – Continuous Wave / SSB



Receiver – Frequency Modulation

